

Framo

sikla

## Modular Steelwork

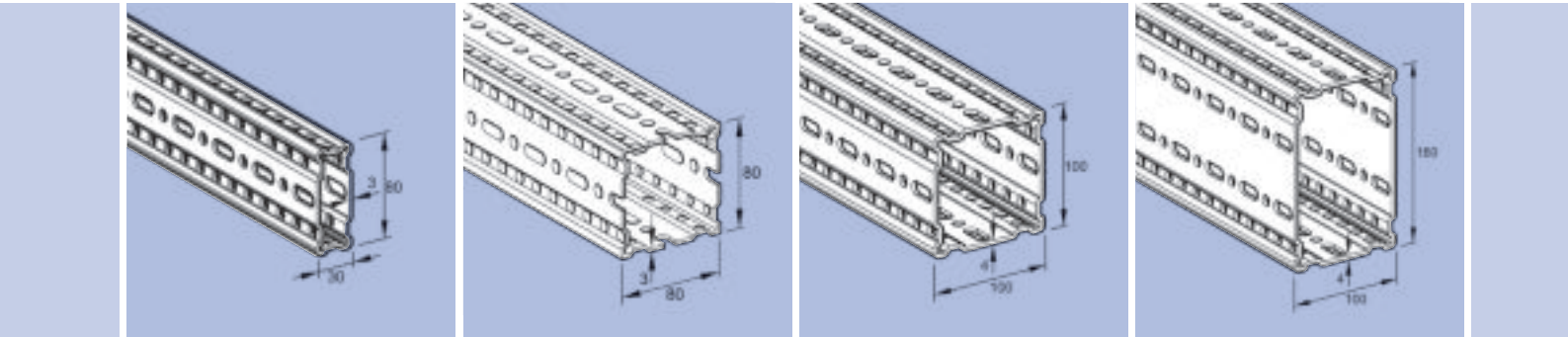
*... Makes New Connections*



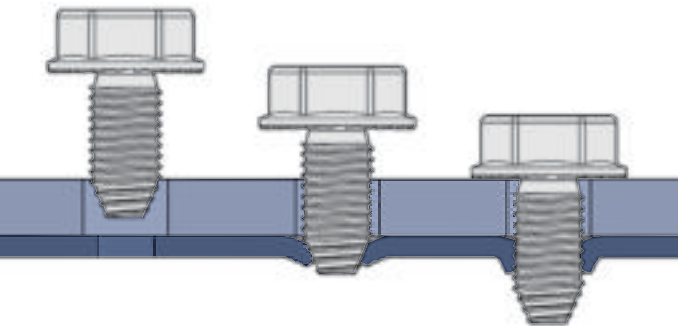
# Framo

## Modular Steelwork with Robust Structural Performance

Framo is a non-welded steelwork support system for the modular construction of frames and structures. Framo allows multidirectional connection possibilities without the need for through-bolts and back-plates. The box section profiles have a high torsional resistance and a fine adjustment capability for connecting members.

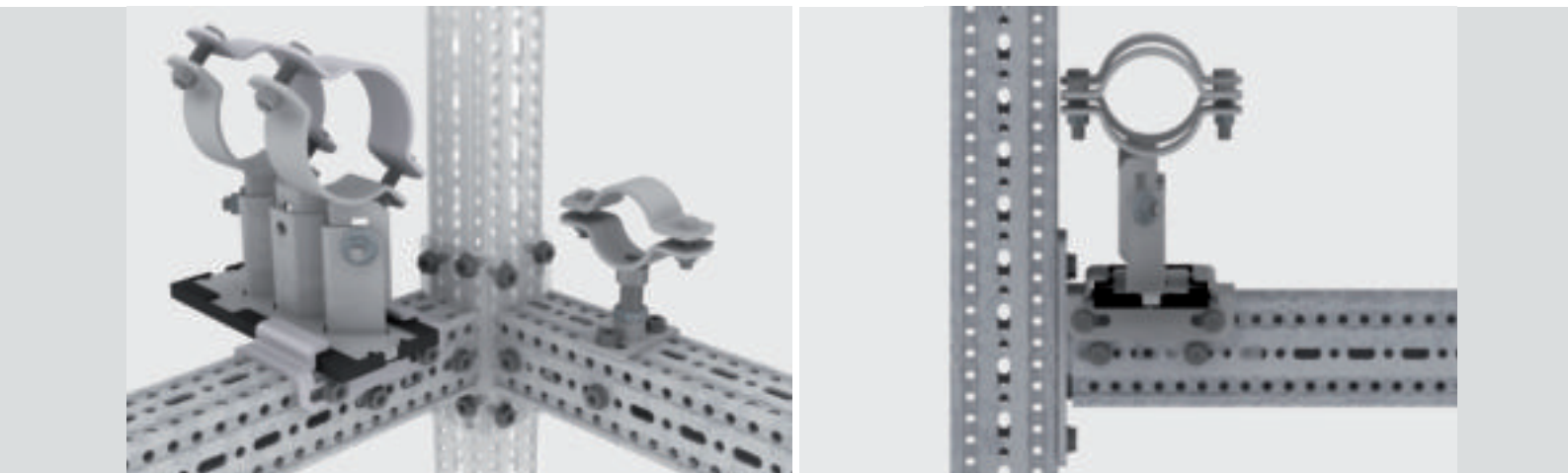


## Single Fastener for All Profile Sizes and Connectors



Framo is assembled via thread forming screws. The non-cutting cold formed threads of the screw form their own threads to pilot holes of the perforated Framo profiles. The low thread forming torque and resulting high clamping force, offers a superior process-reliable shake-proof fastening. The thread forming screws are removable and can be used again.

## The Perfect System for Modular Steelwork Construction

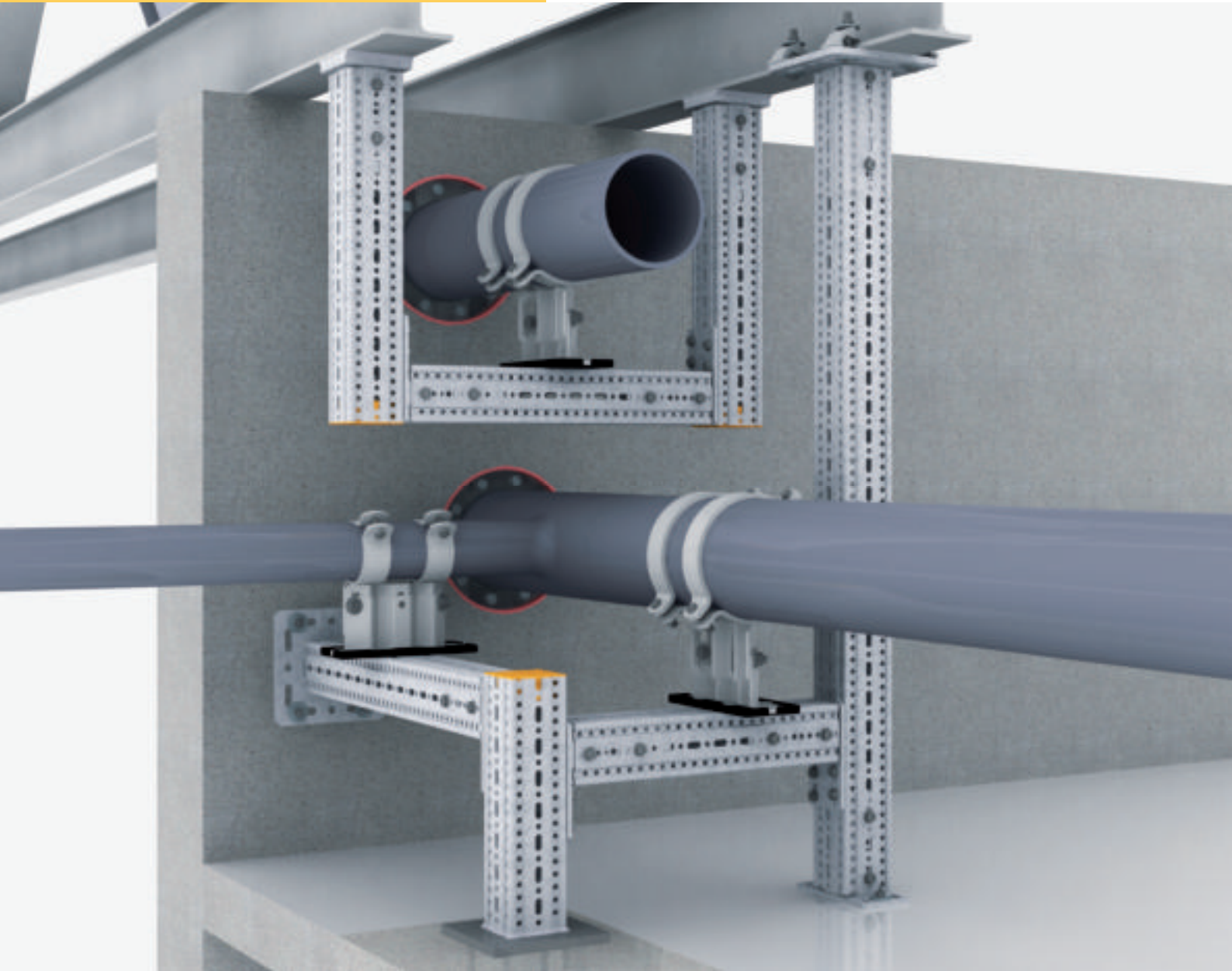


*No nuts or back-plates at member joints.  
No obstruction to adjacent member connections.*

*Full utilisation of profile surface – attachments possible into corners*

# Framo

## Installation to Concrete and Steel

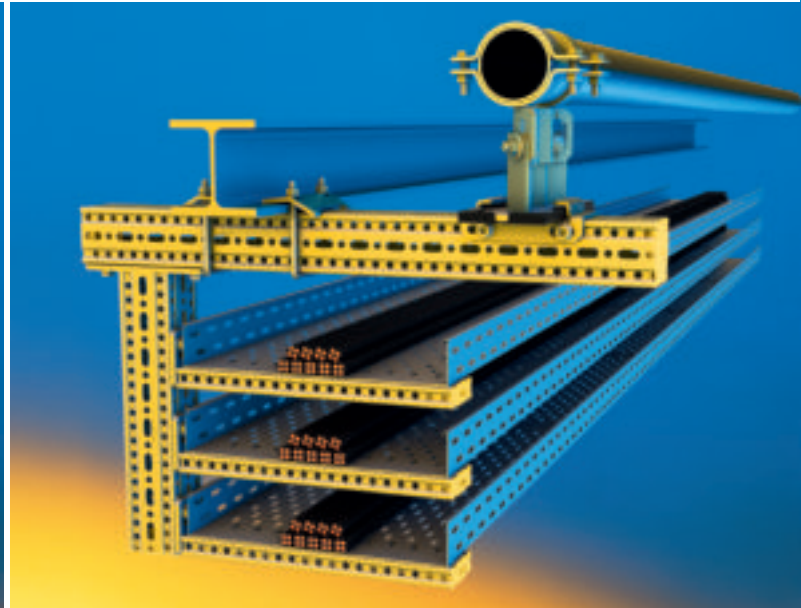


### One System, Faster, Better, Safer:

- ◆ Non-welded modular steelwork
- ◆ Higher performance / lower weight of steel
- ◆ Maximum flexibility, minimum installation time
- ◆ Frame and module assembly modifications can be made quickly on site with no loss of time, cut-outs or re-works
- ◆ Parts reusable after disassembly
- ◆ One thread forming screw for all component connections
- ◆ Compatible with other Sikla installation systems
- ◆ High HCP corrosion resistance as standard
- ◆ Special coatings for highest corrosion resistance requirements

# Framo

Aesthetic Excellence



## Certified Tests

A first in the form of a comprehensive modular support system of pipe shoes and support steelwork, with tested and documented regulatory compliance, based on European standards. Load test data for pipe shoes is a rare and unique benefit in the Process and Energy Industries.



## Design Support from Interfaces and Libraries

SiCAD 2D/3D libraries can create assembly drawings and material lists at the press of a button. Sikla has CAD libraries for all fundamental CAD design software platforms adopted across the Construction and Process Industries.

Sikla Overseas and Export Department  
In der Lache 17  
78056 VS-Schwenningen  
Telephone +49 (0) 7720 948-453  
Fax +49 (0) 7720 948 353  
[www.sikla.com](http://www.sikla.com)